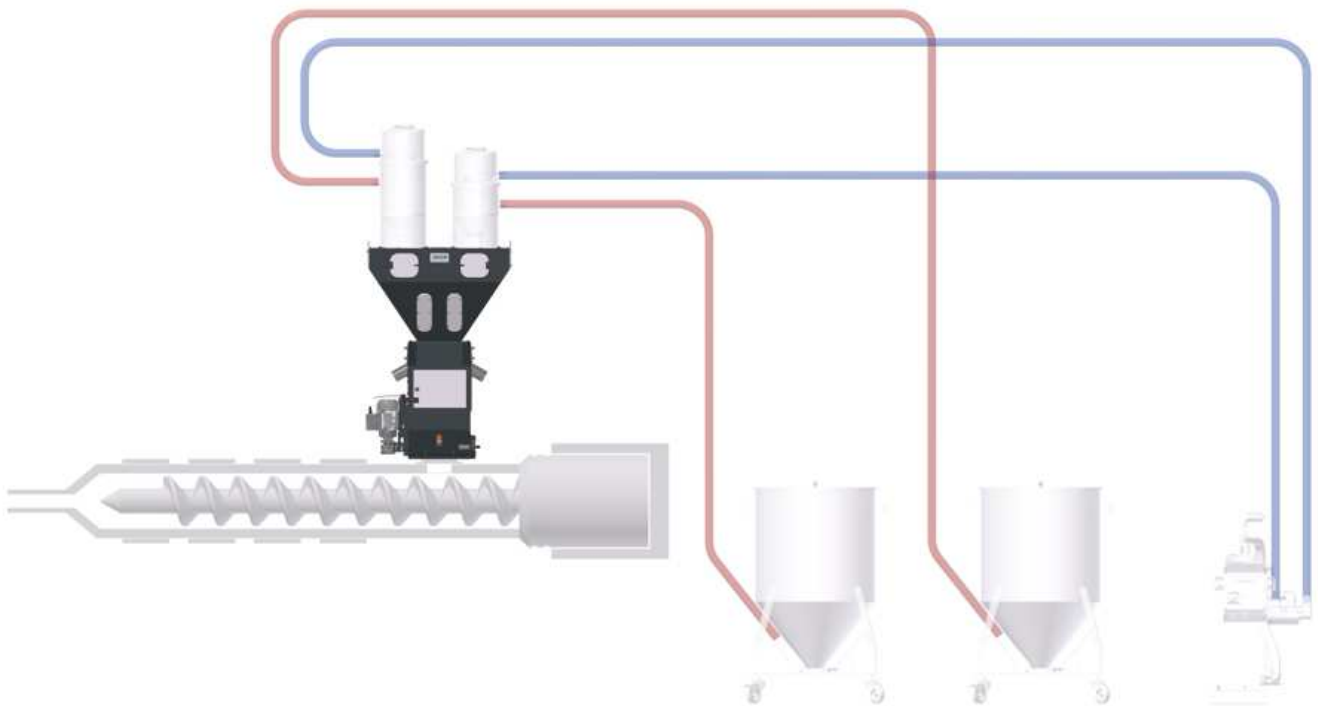




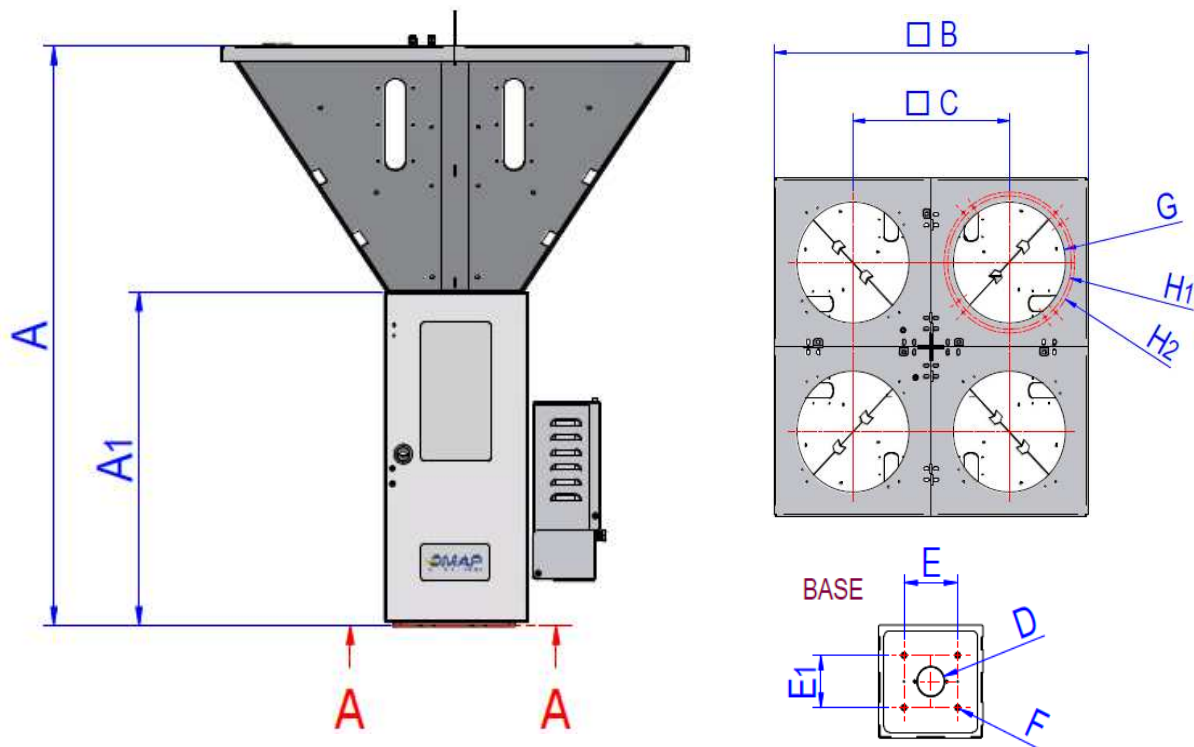
DGmix50-200 series

NEW DMAP
never stop innovating





DGmix50-200	DGmix50	DGmix100	DGmix200	
Pesata ciclo <i>Batch weight</i>	g	600	1000	1200
Volume tramogge cad. <i>Hopper volume each</i>	dm ³	12	12	12
Nr. componenti <i>Components no.</i>	-	4	4	4
Pulizia facilitata <i>Easy clean</i>	-	Si Yes	Si Yes	Si Yes
Produzione massima <i>Max throughput</i>	kg/h	100	150	225
Ulteriori componenti (massimo) <i>Max components to add</i>	-	2	2	2
Tensione <i>Voltage</i>	-	230V/1/50Hz	230V/1/50Hz	230V/1/50Hz



DGmix50-200	DGmix50	DGmix100	DGmix200	
A	mm	889	889	889
A1	mm	511	511	511
B	mm	640 x 640	640 x 640	640 x 640
C	mm	300 x 300	300 x 300	300 x 300
D (ø)	mm	52	52	52
E	mm	100	100	100
E1	mm	90	90	90
F (ø)	mm	9	9	9
G (ø)	mm	240	240	240
H (ø)	mm	265	265	265
H1 (ø)	mm	280	280	280