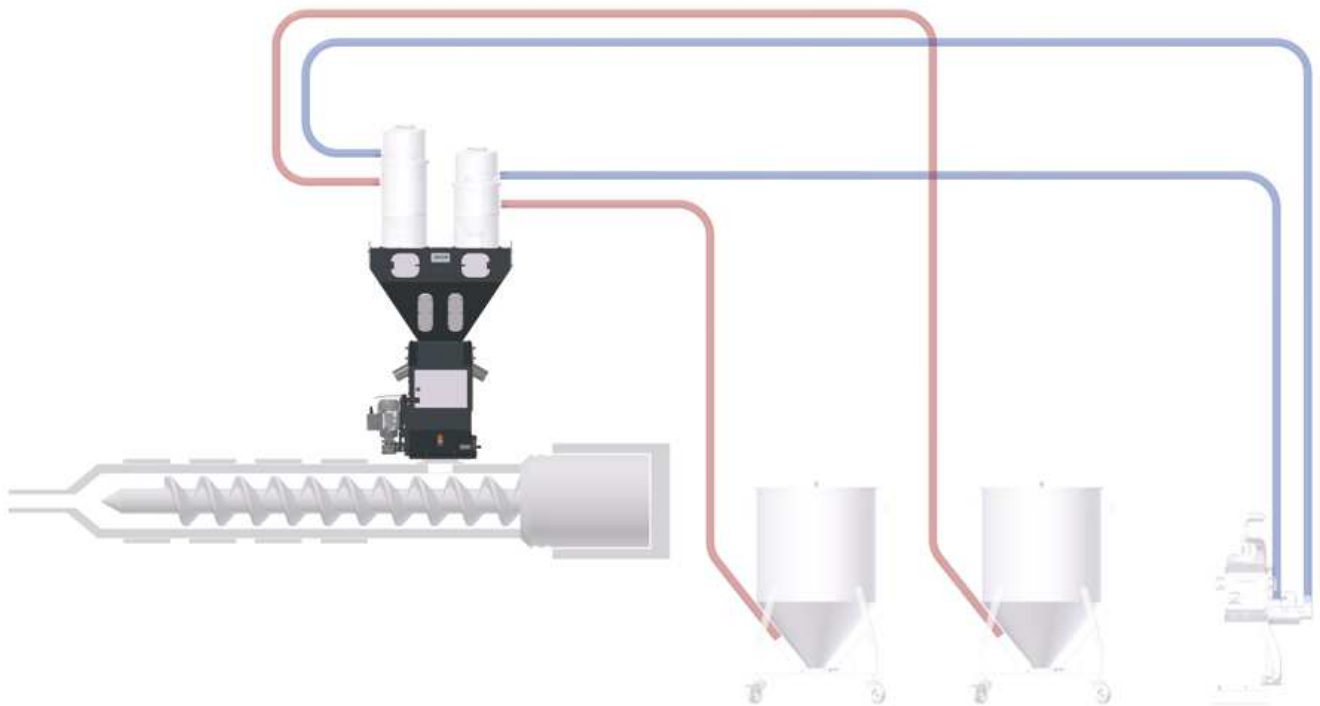




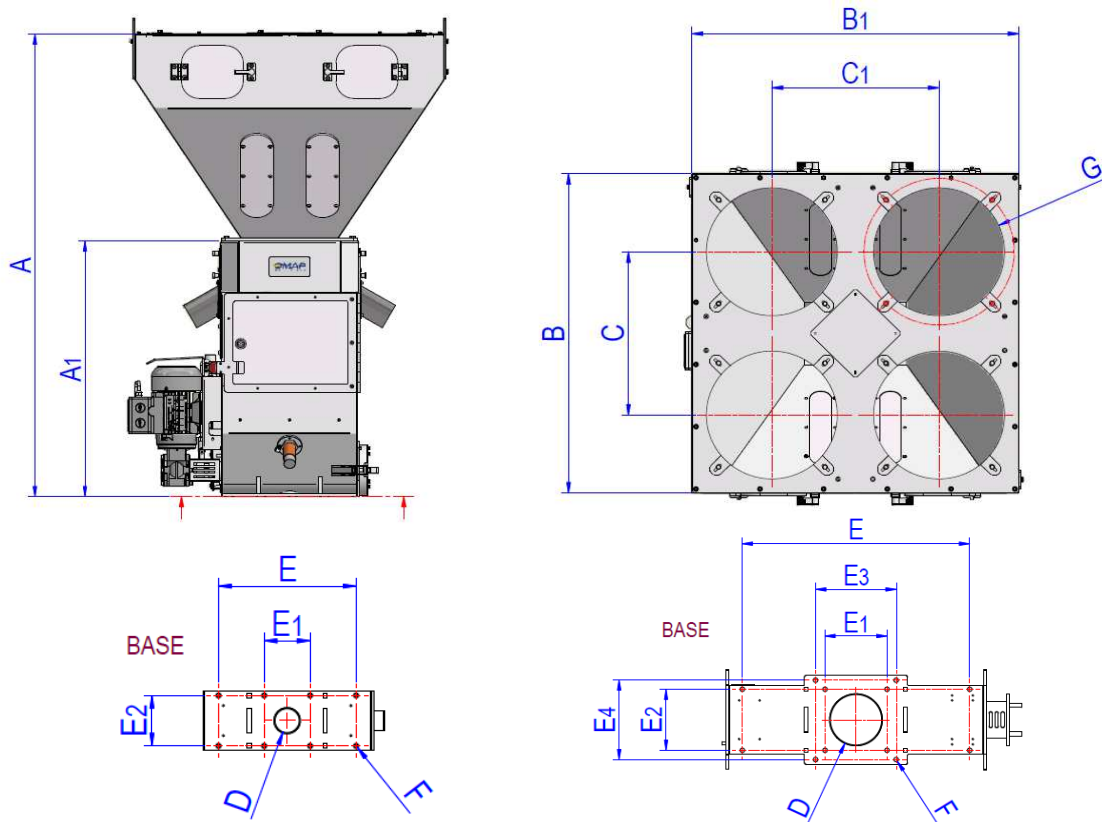
DGmix300-600 series

NEW DMAP
never stop innovating





DGmix300-600	DGmix300	DGmix300ED	DGmix600	DGmix600ED	
Pesata ciclo <i>Batch weight</i>	g	2000	2000	4000	4000
Volume tramogge cad. <i>Hopper volume each</i>	dm ³	32	32	31	32
Nr. componenti <i>Components no.</i>	-	4	4	4	4
Produzione massima <i>Max throughput</i>	kg/h	400	400	800	700
Ulteriori componenti (massimo) <i>Max components to add</i>	-	2	4	2	4
Tensione <i>Voltage</i>	-	400V/3/50Hz	400V/3/50Hz	400V/3/50Hz	400V/3/50Hz



DGmix300-600	DGmix300	DGmix300ED	DGmix600	DGmix600ED	
A	mm	1096	1141	1161	1206
A1	mm	585	630	650	695
B	mm	750	750	750	750
B1	mm	750	750	750	750
C	mm	384	384	384	384
C1	mm	384	384	384	384
D (ø)	mm	51	51	51	51
E	mm	270	270	270	270
E1	mm	90	90	90	90
E2	mm	100	100	100	100
E3	mm	-	-	-	-
E4	mm	-	-	-	-
F (ø)	mm	9	9	9	9
G (ø)	mm	4 x 300	4 x 300	4 x 300	4 x 300