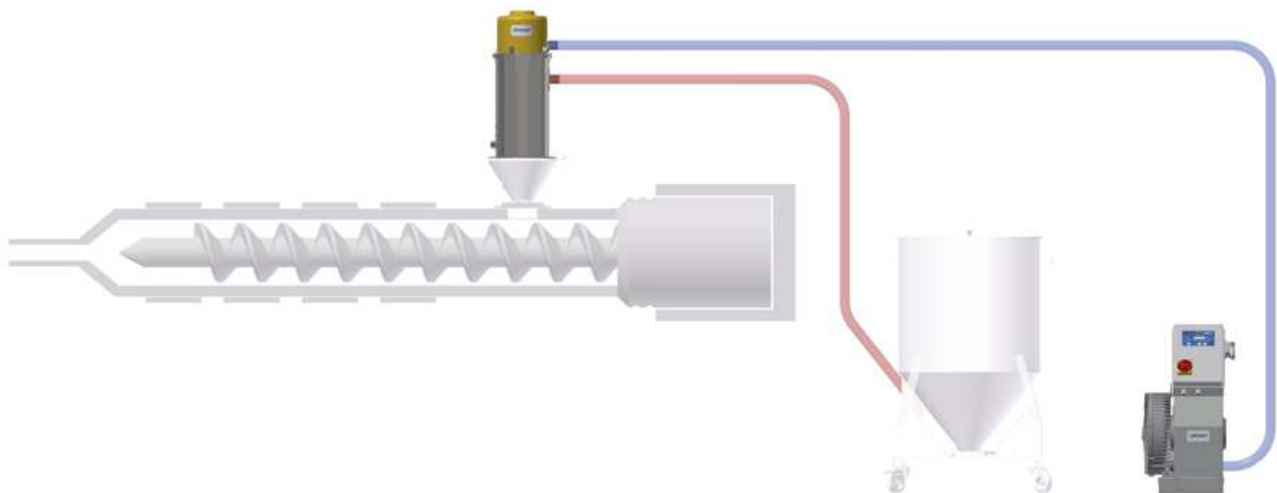




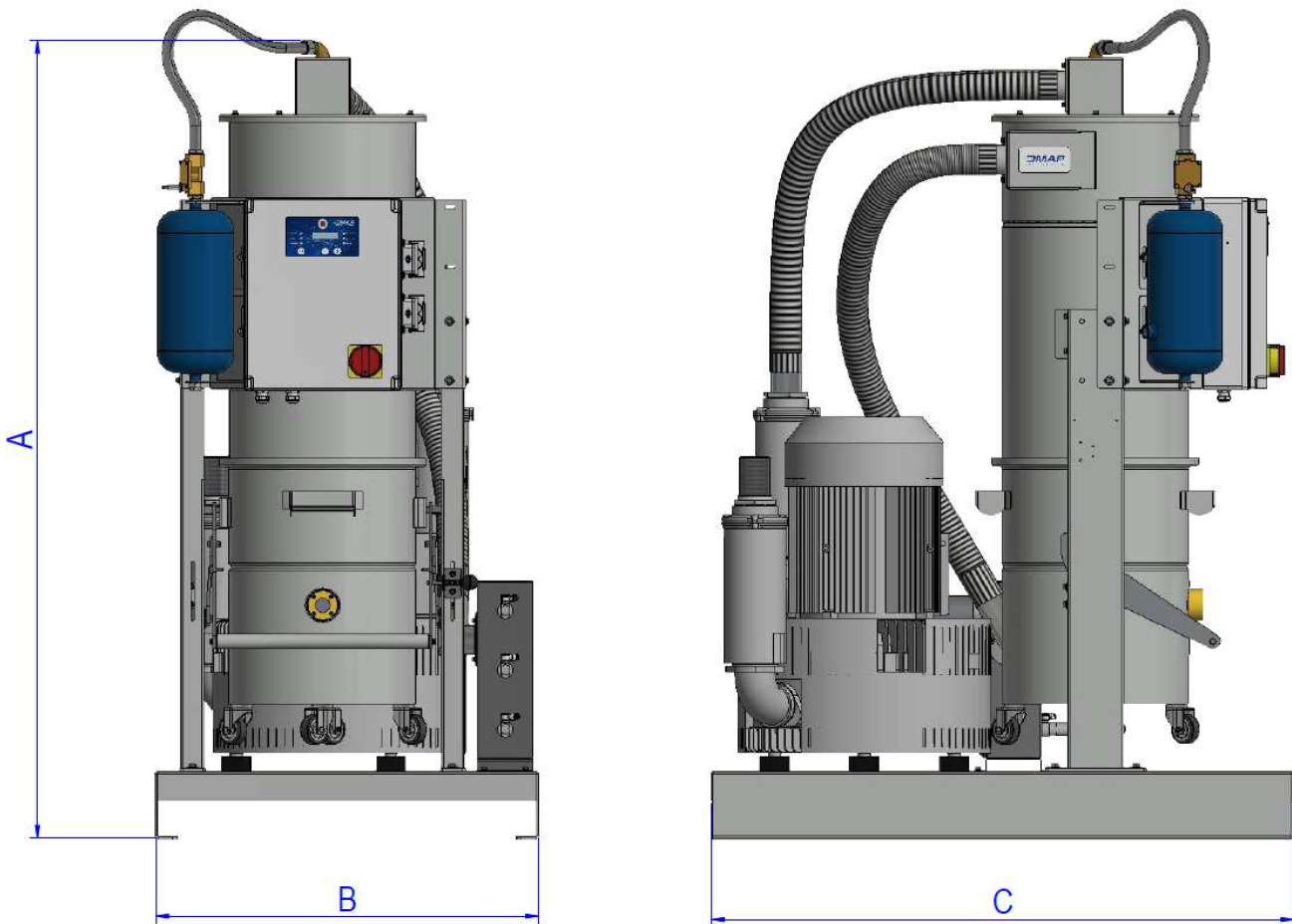
AT FSR series

**NEW** **MAP**  
never stop innovating





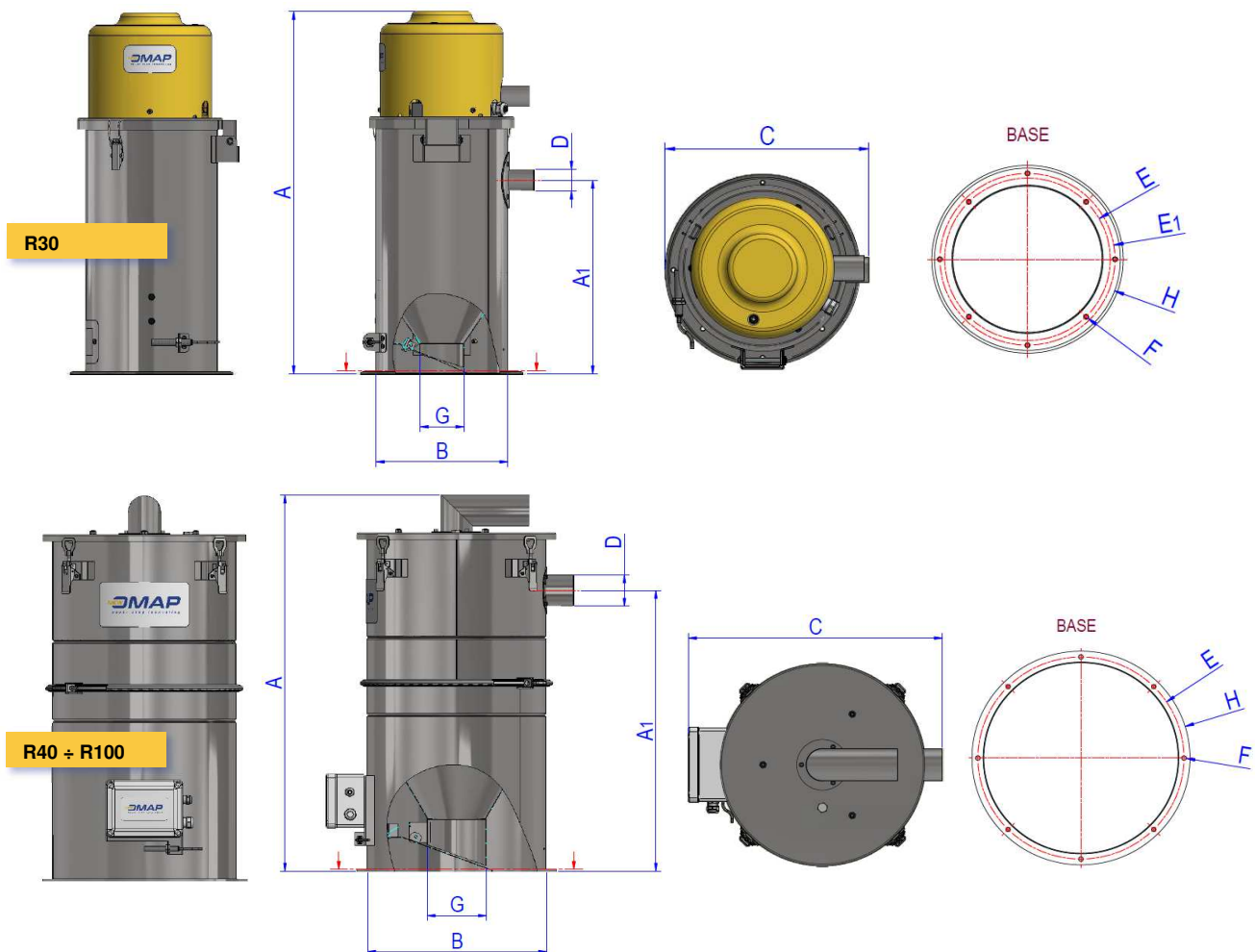
AT FSR series		AT07 FSR	AT11 FSR
Potenza motore <i>Motor power</i>	W	7500	11000
Filtro <i>Filter</i>		FSR	FSR
Portata d'aria massima <i>Max air flow</i>	m <sup>3</sup> /h	520	520
Pressione statica <i>Static pressure</i>	kPa	40	44
Tubo del vuoto <i>Vacuum pipe</i>	ø(mm)	60-70	60-70
Cycloni abbinabili <i>Receivers to fit</i>	dm <sup>3</sup>	60 ÷ 100	60 ÷ 100



AT FSR series		AT07 FSR	AT11 FSR
A	mm	1610	1610
B	mm	755	755
C	mm	1150	1150



AT FSR series		R30	R40	R60	R100
Volume ricevitore Receiver volume	dm <sup>3</sup>	30	40	60	100
Filtro Filter		Rete Grid	Rete Grid	Rete Grid	Rete Grid
Pulizia filtro Filter air blast		-	-	-	-
Tubo del vuoto Vacuum pipe	ø (mm)	50 - 60	60 - 70	60 - 70	60 - 70
Scarico Discharge	ø (mm)	80	130	130	130



AT FSR series		R30	R40	R60	R100
A	mm	1089	845	1025	1375
A1	mm	777	630	810	1160
B (ø)	mm	240	394	394	394
C	mm	320	479	479	479
D (ø)	mm	50/60	60/70	60/70	60/70
E (ø)	mm	265	416	416	416
E1 (ø)	mm	280	-	-	-
F (ø)	mm	8	8	8	8
G (ø)	mm	80	130	130	130
H	mm	297	440	440	440