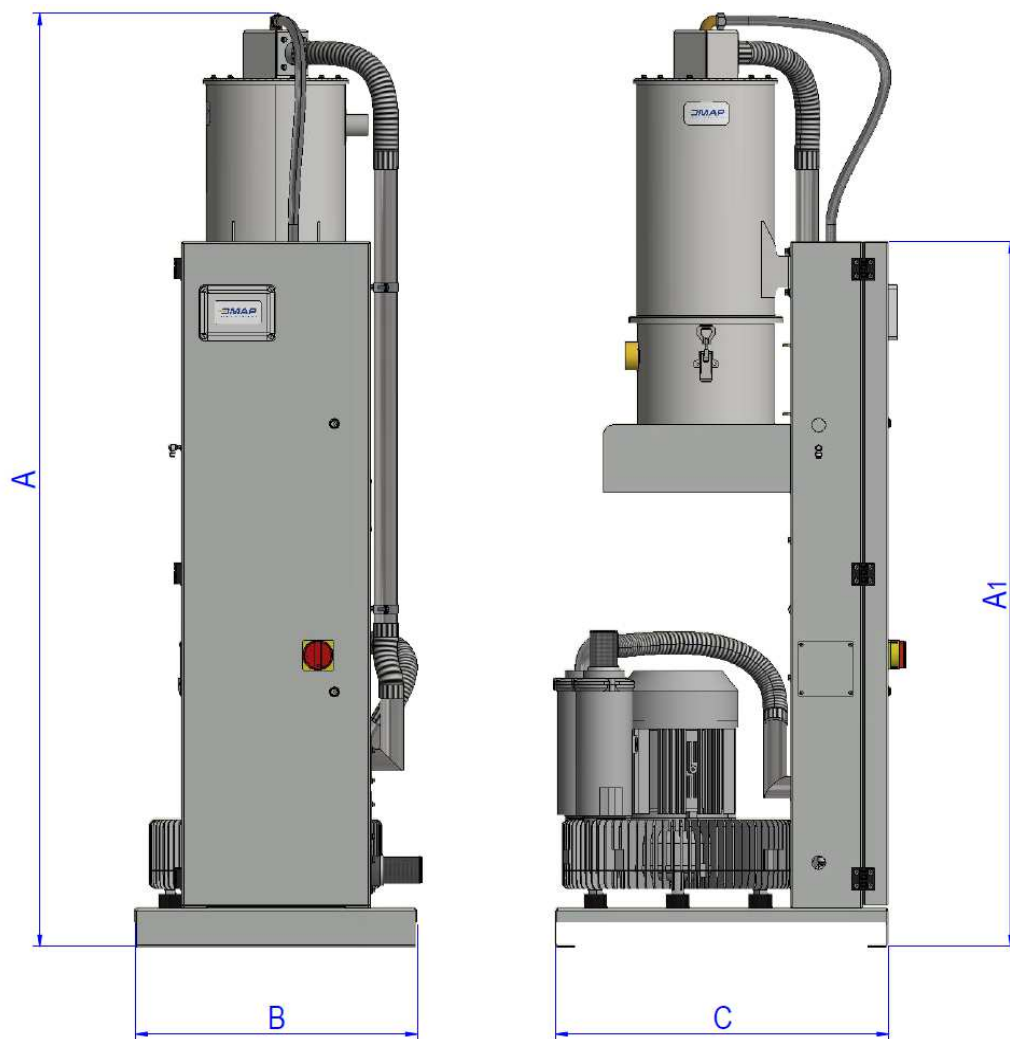




AT FMT series		AT03 FMT	AT04 FMT	AT05 FMT
Potenza motore <i>Motor power</i>	W	3000	4000	5500
Filtro <i>Filter</i>		FMT	FMT	FMT
Portata d'aria massima <i>Max air flow</i>	m ³ /h	330	320	320
Pressione statica <i>Static pressure</i>	kPa	27	36	45
Tubo del vuoto <i>Vacuum pipe</i>	ø (mm)	50 - 60	50 - 60 - 70	50 - 60 - 80
Cycloni abbinabili <i>Receivers to fit</i>	dm ³	20 ÷ 30	30 ÷ 60	30 ÷ 60

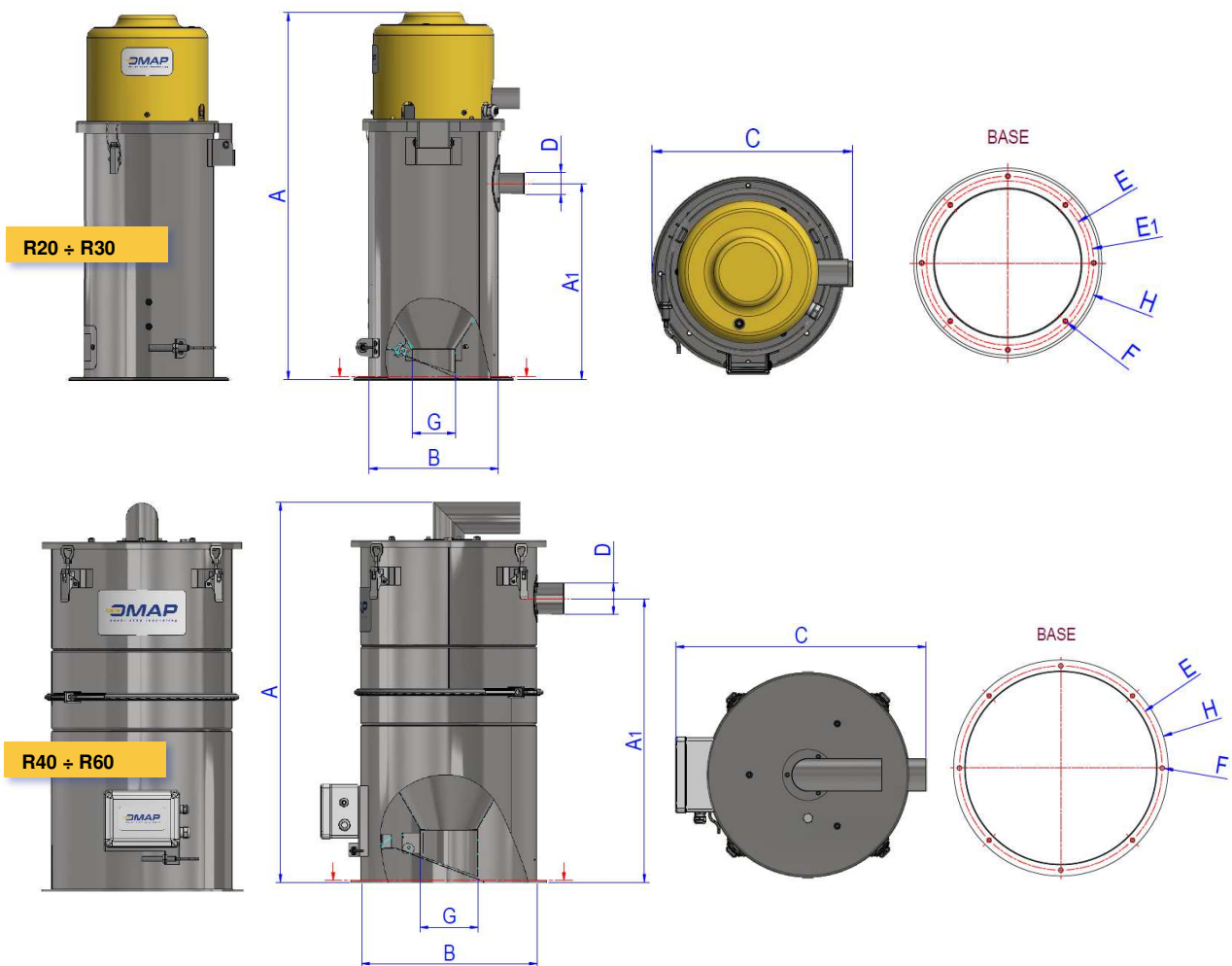


AT FMT series		AT03 FMT	AT04 FMT	AT05 FMT
A	mm	2037	2037	2037
A1	mm	1539	1539	1539
B	mm	604	604	604
C	mm	714	714	714



AT FMT series

AT FMT series		R20	R30	R40	R60
Volume ricevitore Receiver volume	dm ³	20	30	40	60
Filtro Filter		Rete Grid	Rete Grid	Rete Grid	Rete Grid
Pulizia filtro Filter air blast		-	-	-	-
Tubo del vuoto Vacuum pipe	ø (mm)	50 - 60	50 - 60	60 - 70	60 - 70
Scarico Discharge	ø (mm)	80	80	130	130



AT FMT series		R20	R30	R40	R60
A	mm	865	1089	845	1025
A1	mm	554	777	630	810
B (ø)	mm	240	240	394	394
C	mm	320	320	479	479
D (ø)	mm	50/60	50/60	60/70	60/70
E (ø)	mm	265	265	416	416
E1 (ø)	mm	280	280	-	-
F (ø)	mm	8	8	8	8
G (ø)	mm	50	80	130	130
H	mm	297	297	440	440