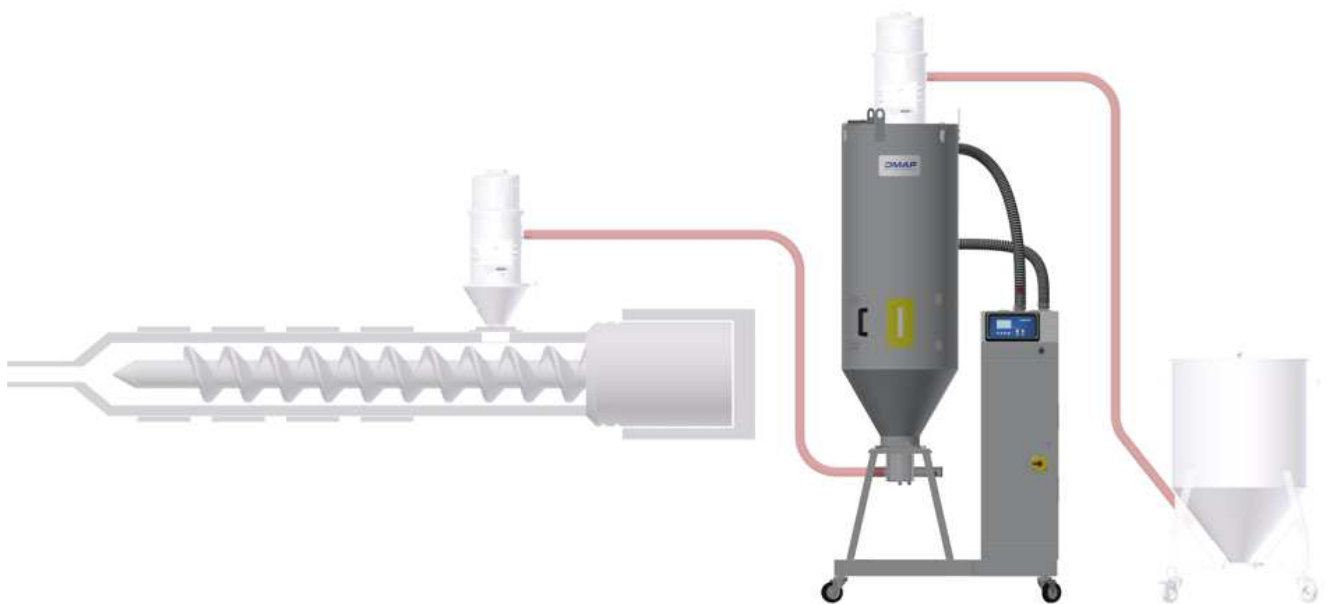


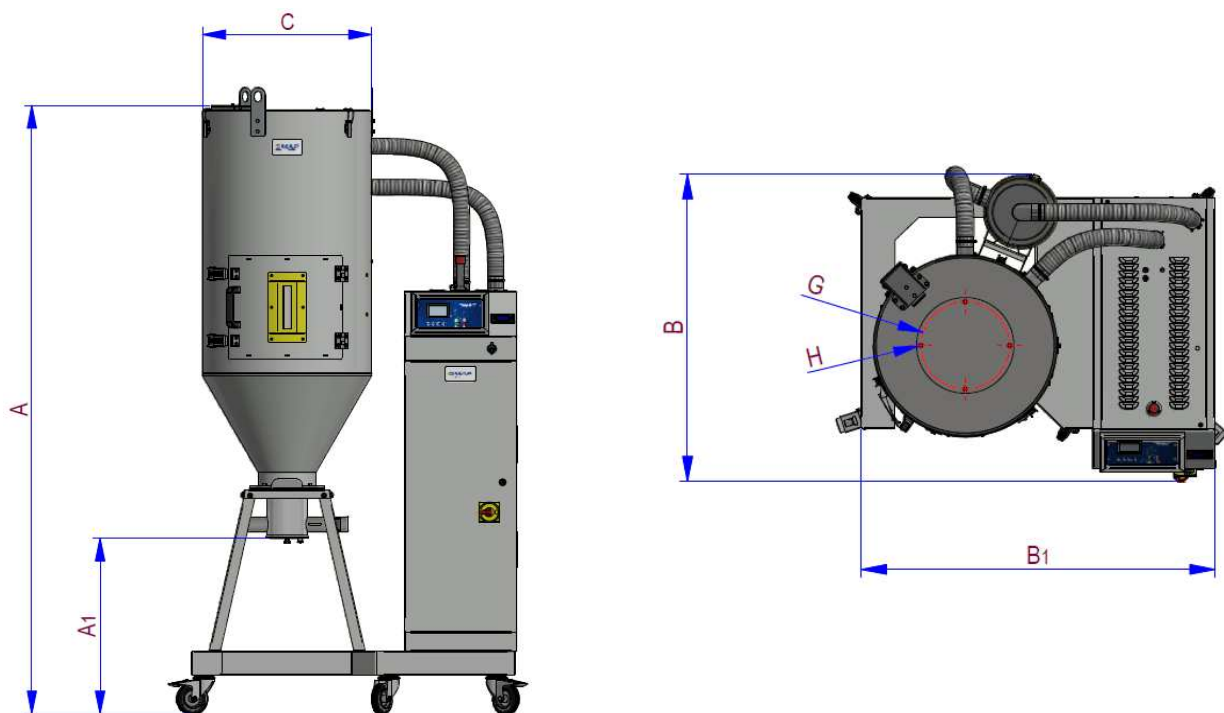


MDC80-120 series





MDC		MDC80-MT/HT50	MDC80-MT/HT75	MDC80-MT/HT100
Temperatura di processo MT <i>MT Process temperature</i>	°C	70 ÷ 140	70 ÷ 140	70 ÷ 140
Temperatura di processo HT <i>HT Process temperature</i>	°C	70 ÷ 180	70 ÷ 180	70 ÷ 180
Punto di rugiada <i>Dew Point</i>	°C	-50	-50	-50
Portata d'aria <i>Air flow</i>	m ³ /h	80	80	80
Pressione statica <i>Static pressure</i>	mbar	120	120	120
Potenza soffiante <i>Blower power</i>	kW	0.4	0.4	0.4
Potenza risc. Processo MT <i>MT Process heating</i>	kW	3.0	3.0	3.0
Potenza risc. Processo HT <i>HT Process heating</i>	kW	4.8	4.8	4.8
Potenza risc. Rigenerazione <i>Regeneration heating</i>	kW	1.5	1.5	1.5
Tot. potenza installata MT <i>MT Tot. installed power</i>	kW	4.9	4.9	4.9
Tot. potenza installata HT <i>HT Tot. installed power</i>	kW	6.4	6.4	6.4
Potenza assorbimento a 80°C <i>Absorbing power at 80°C</i>	kW	2.0	2.0	2.0
Frequenza <i>Voltaggio</i>	-	400V/3+N/50Hz	400V/3+N/50Hz	400V/3+N/50Hz
Volume tramoggia <i>Hopper volume</i>	dm ³	50	75	100

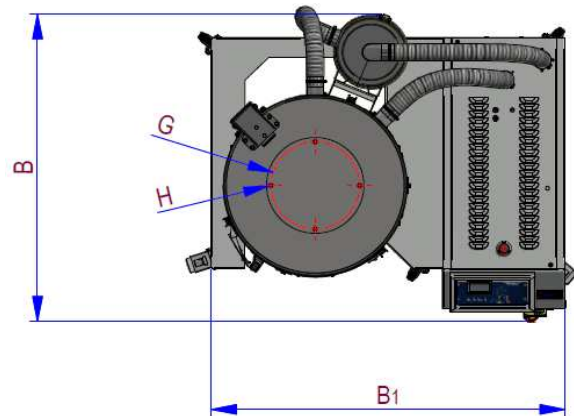
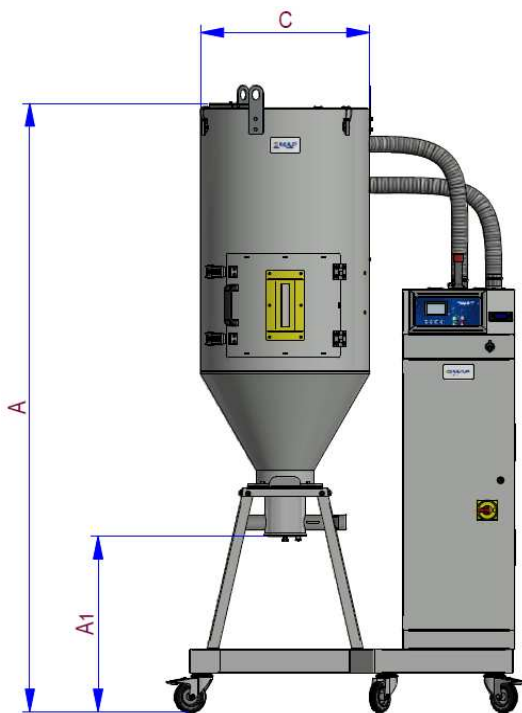


MDC		MDC80-MT/HT50	MDC80-MT/HT75	MDC80-MT/HT100
A	mm	1514	1714	1714
A1	mm	580	580	580
B	mm	890	890	930
B1	mm	1056	1056	1056
C (ø)	mm	490	490	550
G (ø)	mm	265	265	265
H (M)	-	6	6	6



MDC80-120 series

MDC		MDC80-MT/HT150	MDC120-MT/HT150	MDC120-MT/HT200
Temperatura di processo MT <i>MT Process temperature</i>	°C	70 ÷ 140	70 ÷ 140	70 ÷ 140
Temperatura di processo HT <i>HT Process temperature</i>	°C	70 ÷ 180	70 ÷ 180	70 ÷ 180
Punto di rugiada <i>Dew Point</i>	°C	-50	-50	-50
Portata d'aria <i>Air flow</i>	m ³ /h	80	120	120
Pressione statica <i>Static pressure</i>	mbar	120	140	140
Potenza soffiante <i>Blower power</i>	kW	0.4	0.85	0.85
Potenza risc. Processo MT <i>MT Process heating</i>	kW	3.0	4.8	4.8
Potenza risc. Processo HT <i>HT Process heating</i>	kW	4.8	6.0	6.0
Potenza risc. Rigenerazione <i>Regeneration heating</i>	kW	1.5	1.5	1.5
Tot. potenza installata MT <i>MT Tot. installed power</i>	kW	4.9	7.15	7.15
Tot. potenza installata HT <i>HT Tot. installed power</i>	kW	6.4	8.35	8.35
Potenza assorbimento a 80°C <i>Absorbing power at 80°C</i>	kW	2.0	2.3	2.3
Frequenza <i>Voltaggio</i>	-	400V/3+N/50Hz	400V/3+N/50Hz	400V/3+N/50Hz
Volume tramoggia <i>Hopper volume</i>	dm ³	150	150	200



MDC		MDC80-MT/HT150	MDC120-MT/HT150	MDC120-MT/HT200
A	mm	2014	2014	2314
A1	mm	580	580	580
B	mm	930	930	930
B1	mm	1056	1056	1056
C (ø)	mm	550	550	550
G (ø)	mm	265	265	265
H (M)	-	6	6	6