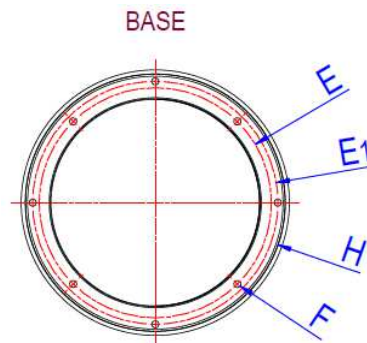
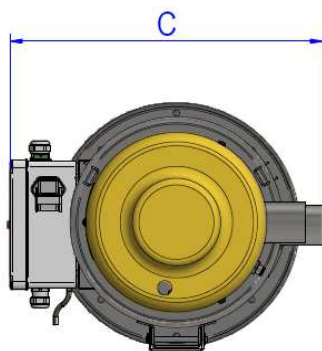
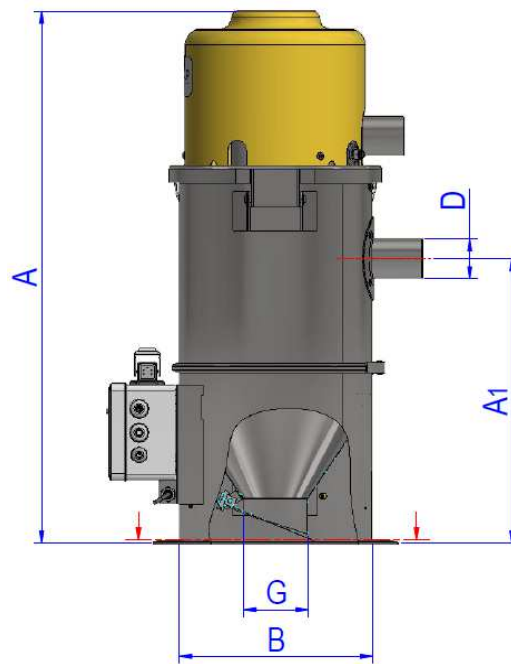
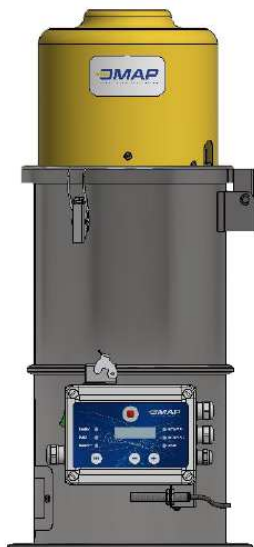




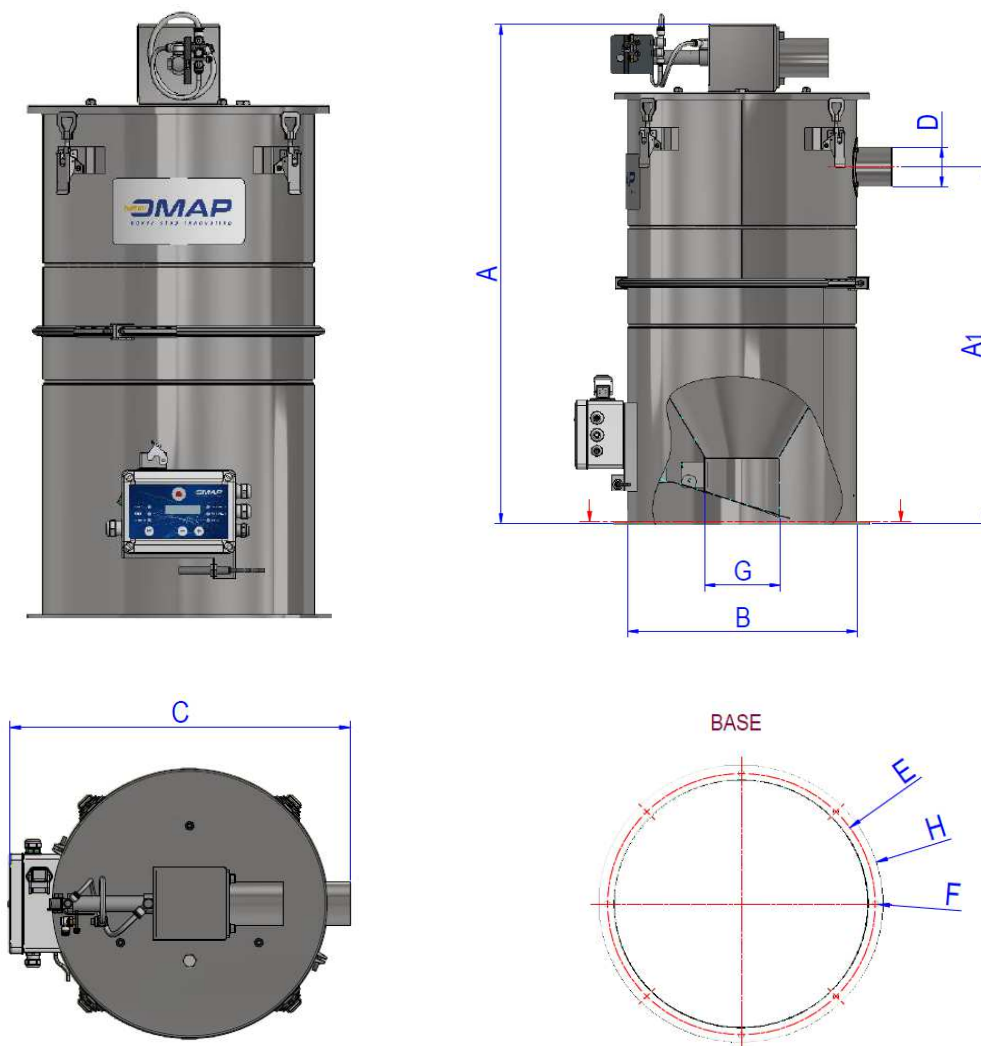
RC series		RC04	RC05	RC10	RC20	RC30
Volume ricevitore <i>Receiver volume</i>	dm ³	4	5	10	20	30
Tubo del materiale <i>Material pipe</i>	ø (mm)	40	40	40	40 - 50	50
Tubo del vuoto <i>Vacuum pipe</i>	ø (mm)	40	40	40	40 - 50	50
Scarico <i>Discharge</i>	ø (mm)	50	80	80	80	80



RC series		RC04	RC05	RC10	RC20	RC30
A	mm	510	550	670	865	1089
A1	mm	246	238	358	554	777
B (ø)	mm	159	240	240	240	240
C	mm	234	320	320	320	320
D (ø)	mm	40	40/50/60	40/50/60	40/50/60	40/50/60
E (ø)	mm	182	265	265	265	265
E1 (ø)	mm	-	280	280	280	280
F (ø)	mm	7	8	8	8	8
G (ø)	mm	50	80	80	80	80
H	mm	200	297	297	297	297



RC series		RC40	RC60	RC100
Volume ricevitore Receiver volume	dm ³	40	60	100
Tubo del materiale Material pipe	ø (mm)	60 - 70	60 - 70	60 - 70
Tubo del vuoto Vacuum pipe	ø (mm)	60 - 70	60 - 70	60 - 70
Scarico Discharge	ø (mm)	130	130	130



RC series		RC40	RC60	RC100
A	mm	882	1062	1412
A1	mm	630	810	1160
B (ø)	mm	365	365	365
C	mm	479	479	479
D (ø)	mm	50/60/63,5/70	50/60/63,5/70	50/60/63,5/70
E (ø)	mm	416	416	416
E1 (ø)	mm	-	-	-
F (ø)	mm	8	8	8
G (ø)	mm	130	130	130
H	mm	440	440	440